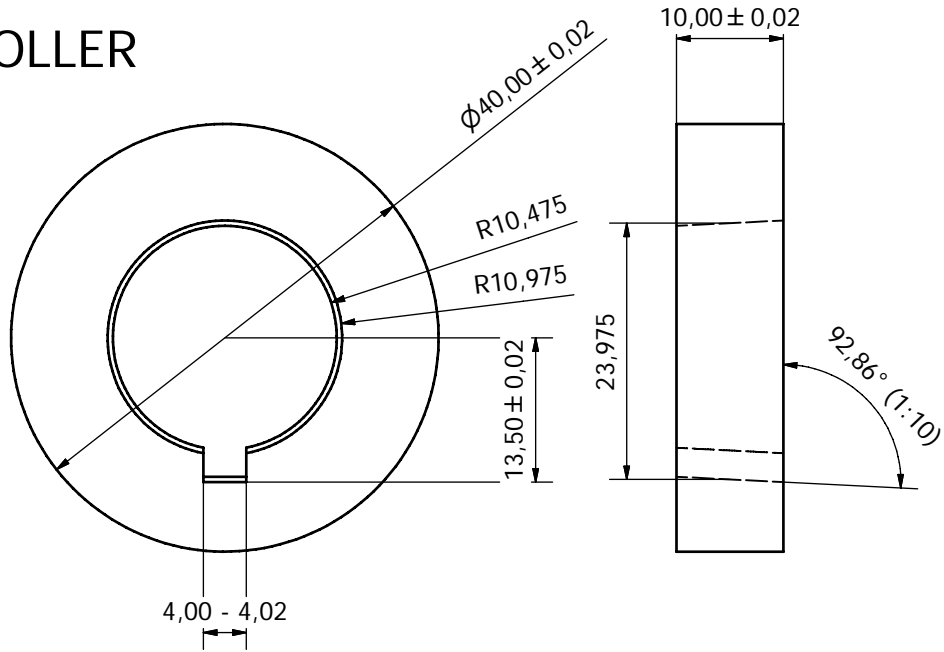
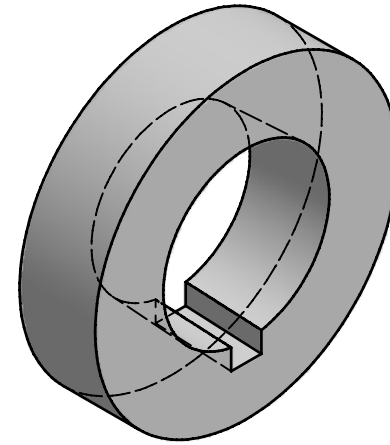


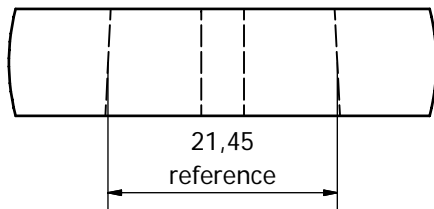
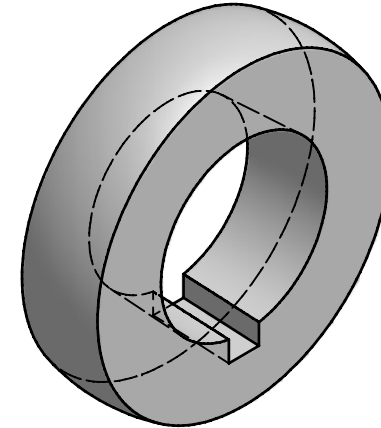
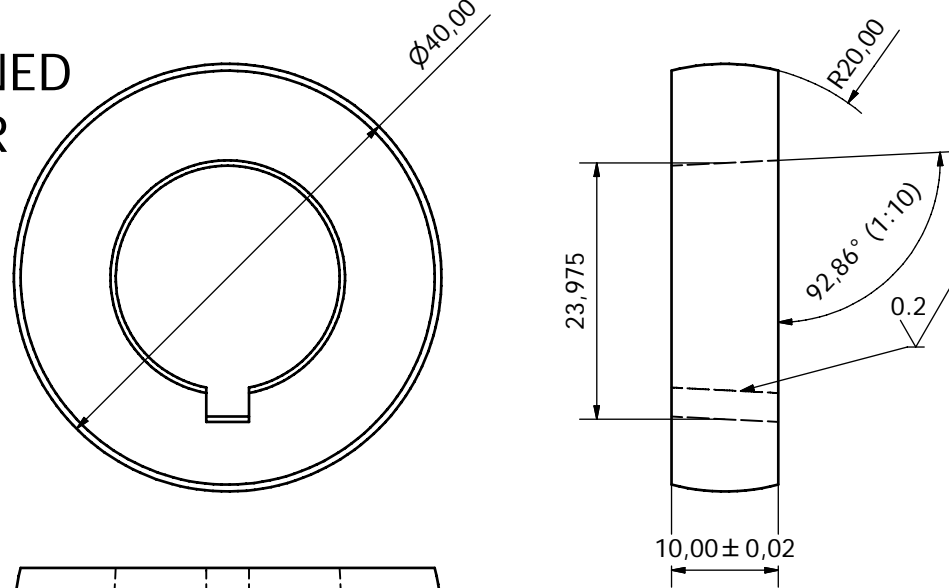
FLAT ROLLER



DIMENSIONS IN MM UNLESS STATED
REMOVE ALL BURRS AND SHARP EDGES UNLESS OTHERWISE STATED



CROWNED ROLLER



Noted that these are finished/polished dimensioned

Designed by harveyt	Checked by	Approved by	Date	Date 06/12/2010	
			rollers 40 mm		
				Edition	Sheet 1 / 1